



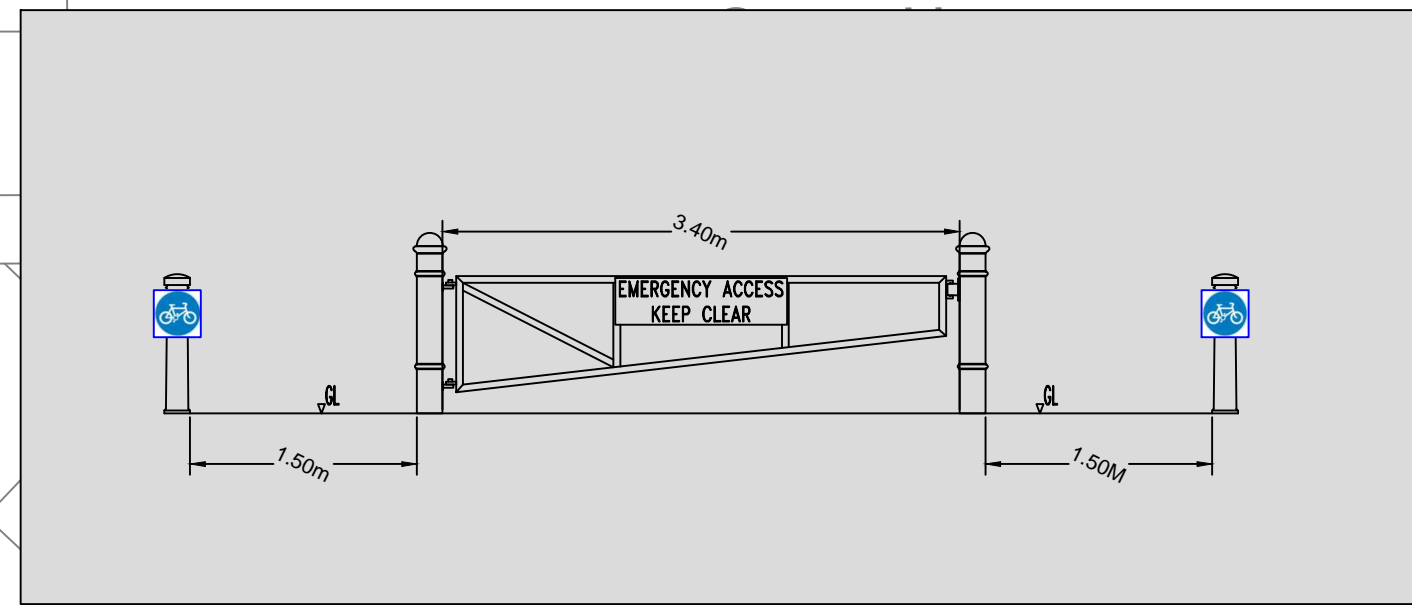
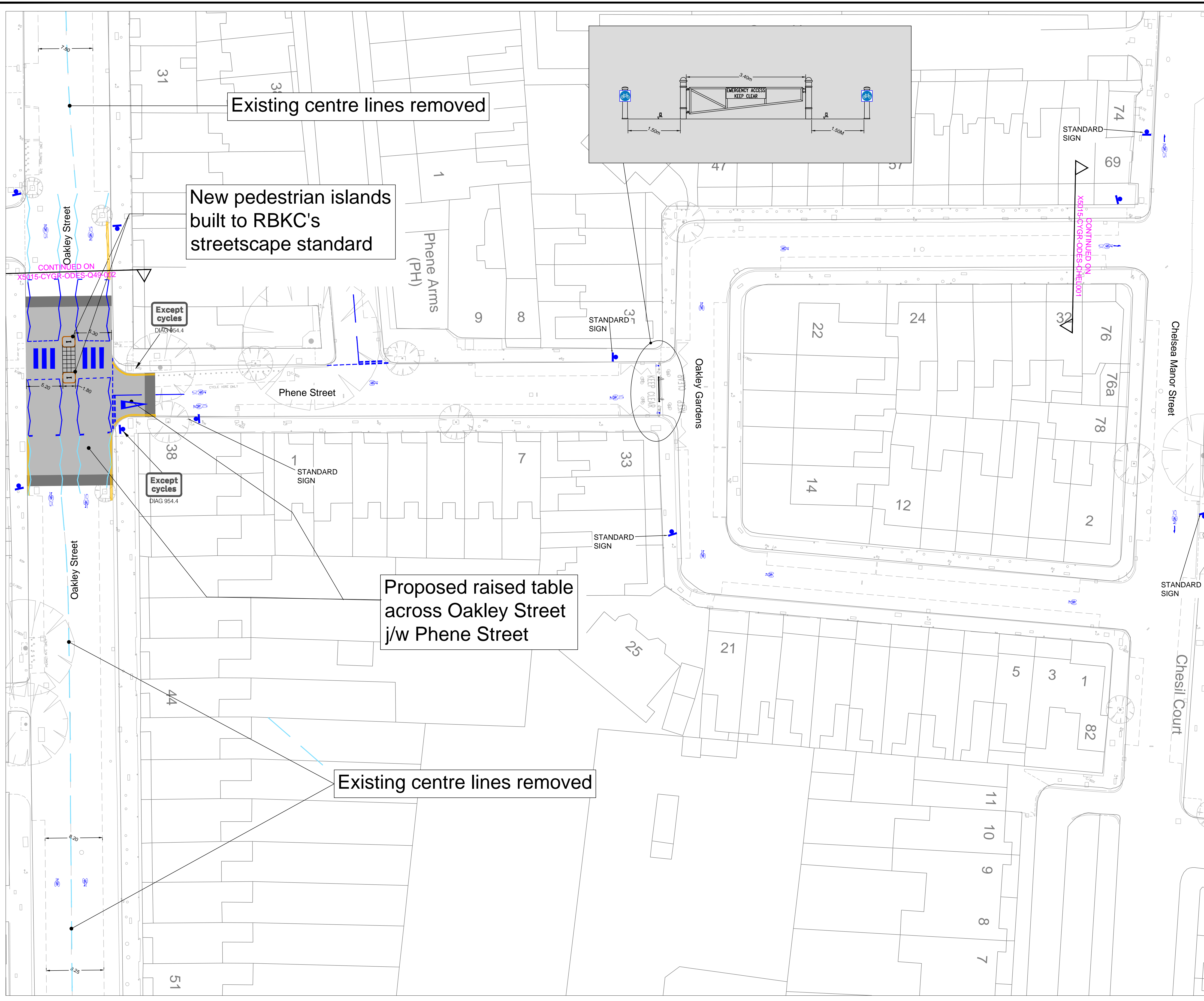
Notes

Existing centre lines removed

New pedestrian islands  
built to RBKC's  
streetscape standard

Proposed raised table  
across Oakley Street  
j/w Phene Street

Existing centre lines removed



Except cycles  
DIAG 954.4

Except cycles  
DIAG 954.4

1 STANDARD SIGN

3 STANDARD SIGN

1 STANDARD SIGN

STANDARD SIGN

STANDARD SIGN

Rev	Description	By	Date	Chk

DEPARTMENT OF TRANSPORTATION AND HIGHWAYS  
Traffic & Transportation Policy Service

The Royal Borough of Kensington and Chelsea  
Town Hall, Hornton Street, London, W8 7NX  
Telephone: (020) 7361 3374  
Fax: (020) 7361 2796

Project  
CENTRAL LONDON CYCLING GRID

Title  
RBKC QUIETWAY ROUTE PROPOSALS  
CHELSEA QUIETWAY 1 OF 7  
(PHENE STREET)

Scale 1:250	Drawn EE	Checked Date	A1
Drawing Number X5015-CYGR-ODES-CHEL001	Date 19.02.15	Rev 0	

Cad File: \DRAWINGS\...